

# FH8208A

One Cell Lithium-ion/Polymer Battery Protection IC

## ■ Features

- Protection of Charger Reverse Connection
- Protection of Battery Cell Reverse Connection
- Over-temperature Protection
- Overcharge Current Protection
- Two-step Overcurrent Detection:  
Over Discharge Current  
Load Short Circuiting
- Charger Detection Function
- 0V Battery Charging Function
- 59mΩ Low RSS(ON) Internal Power MOSFET
- Delay Times are generated inside
- Overcharge Current Detection Function
- High-accuracy Voltage Detection
- Low Current Consumption  
Operation Mode: 2.8μA typ.  
Power-down Mode: 1.5μA typ.
- Only One External Capacitor Required
- Available in SOT23-5 Package
- -40°C to +85°C Temperature Range
- RoHS Compliant and Lead (Pb) Free

## ■ Applications

- One-Cell Li-ion Battery Pack
- Power Bank
- One-Cell Li-poly Battery Pack
- IOT Sensor/Electronic Toys

## ■ General Description

The FH8208A is a high integration solution for lithium-ion/polymer battery protection. FH8208A contains internal power MOSFET, high-accuracy voltage detection circuits and delay circuits. FH8208A has all the protection functions required in the battery application including overcharging, over discharging, overcurrent and load short circuiting protection etc. The accurate overcharging detection voltage ensures safe and full utilization charging. The low standby current drains little current from the cell while in storage. The device is not only targeted for digital cellular phones, but also for any other Li-Ion and Li-Poly battery-powered information appliances requiring long-term battery life. The FH8208A requires a minimal number of readily available, external components and is available in a space saving SOT23-5 Package.

## ■ PIN Configuration

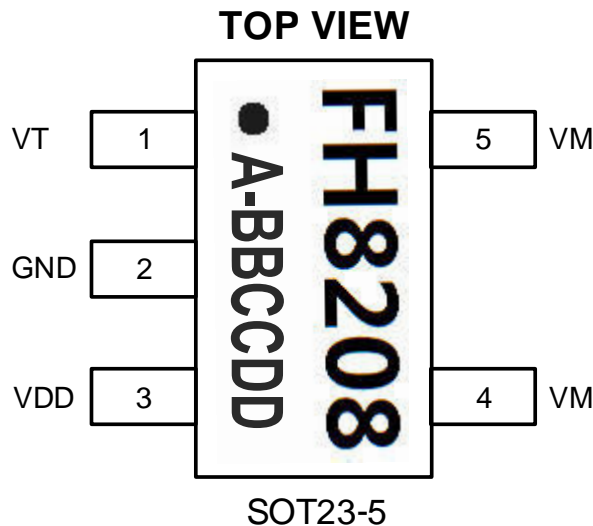


Figure 2. Pin Configuration

## ■ PIN Description

Pin	Name	Function
1	VT	Test pin ; only for vendor not used by application
2	GND	Ground Pin
3	VDD	Power Supply Pin
4	VM	The negative terminal of the battery pack. The internal FET switch connects this terminal to GND
5	VM	The negative terminal of the battery pack. The internal FET switch connects this terminal to GND

## ■ Typical Application

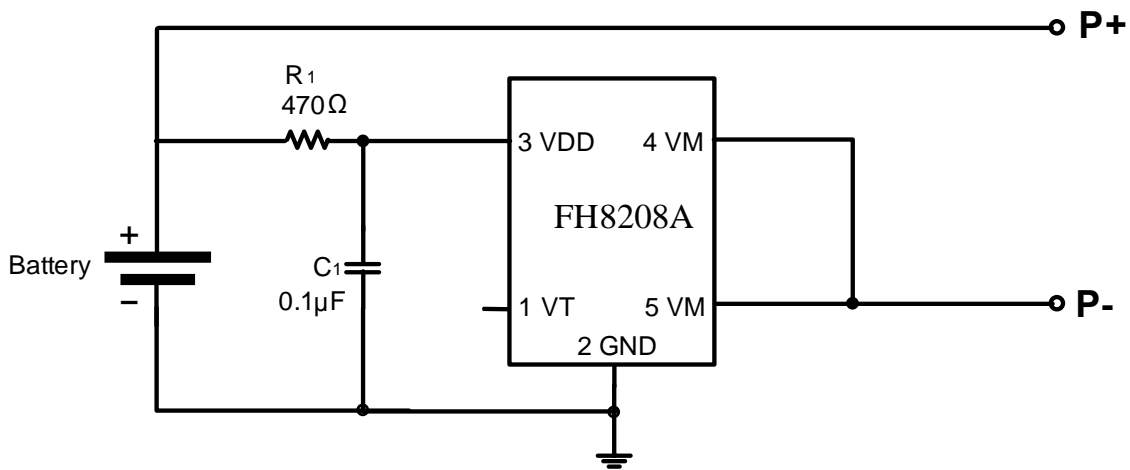


Figure 1. Basic Application Circuit

## ■ Absolute Maximum Ratings

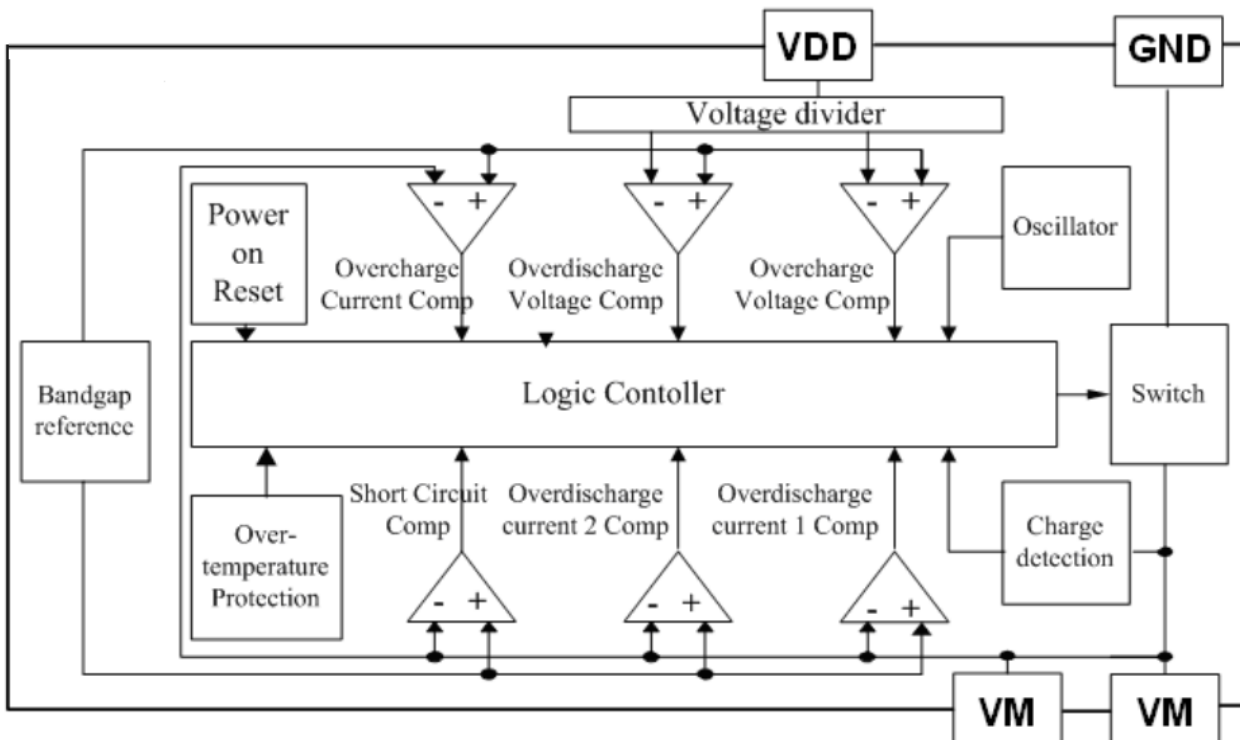
VDD Input Voltage ..... -0.3V to 6V  
 Operating Temperature Range ..... -40°C to +85°C  
 Lead Temperature (Soldering, 10s) ..... +260°C  
 $\theta_{JA}$  ..... 250°C/W  
 $\theta_{JC}$  ..... 130°C/W

VM Input Voltage ..... -6V to 10V VBS  
 Storage Temperature Range ..... -55°C to 150°C  
 Junction Temperature ..... +125°C  
 ESD (Human Body Made) HMB ..... 2KV

## ■ Electrical Characteristics

Parameter	Symbol	Test Conditions	Min	Typ.	Max	Unit
<b>Detection Voltage</b>						
Overcharge Detection Voltage	$V_{CU}$		4.25	4.3	4.35	V
Overcharge Release Voltage	$V_{CL}$		4.05	4.1	4.15	V
Overdischarge Detection Voltage	$V_{DL}$		2.3	2.4	2.5	V
Overdischarge Release Voltage	$V_{DR}$		2.9	3.0	3.1	V
<b>Detection Current</b>						
Overcharge current Detection	$*I_{ICV}$	$V_{DD}=3.6V$		2.9		A
Overdischarge Current1 Detection	$*I_{IOV1}$	$V_{DD}=3.6V$		2.9		A
Load Short-Circuiting Detection	$*I_{SHORT}$	$V_{DD}=3.6V$		20		A
<b>Current Consumption</b>						
Current Consumption in Operation	$I_{OPE}$	$V_{DD}=3.6V$ $V_M=0V$		2.8	6	$\mu A$
Current Consumption in power Down	$I_{PDN}$	$V_{DD}=2.0V$ $V_M$ floating		1.5	3	$\mu A$
<b>VM Internal Resistance</b>						
Resistance between VM and $V_{DD}$	$*R_{VMD}$	$V_{DD}=3.6V$ $V_M=1.0V$		300		k $\Omega$
Resistance between VM and GND	$*R_{VMS}$	$V_{DD}=2.0V$ $V_M=1.0V$		20		k $\Omega$
<b>FET on Resistance</b>						
Equivalent FET on Resistance	$*R_{SS(ON)}$	$V_{DD}=3.6V$ $I_M=1.0A$		59		m $\Omega$
<b>Over Temperature Protection</b>						
Over Temperature Protection	$*T_{SHD+}$			150		$^{\circ}C$
Over Temperature Recovery Degree	$*T_{SHD-}$			110		$^{\circ}C$
<b>Detection Delay Time</b>						
Overcharge Voltage Detection Delay Time	$t_{CU}$			130	200	mS
Overdischarge Voltage Detection Delay Time	$t_{DL}$			40	60	mS
Overdischarge Current Detection Delay Time	$*t_{IOV}$	$V_{DD}=3.6V$		8	16	mS
Load Short-Circuiting Detection Delay Time	$*t_{SHORT}$	$V_{DD}=3.6V$		180	350	$\mu S$

## System Block Diagram



## Functional Description

### Normal operating mode

If no exception condition is detected, charging and discharging can be carried out freely. This condition is called the normal operating mode.

### Overcharge Condition

When the battery voltage becomes higher than the overcharge detection voltage (VCU) during charging under normal condition and the state continues for the overcharge detection delay time (tCU) or longer, the FH8208A turns the charging control FET off to stop charging. This condition is called the overcharge condition. The overcharge condition is released in the following two cases:

1. When the battery voltage drops below the overcharge release voltage (VCL), the FH8208A turns the charging control FET on and returns to the normal condition.
2. When a load is connected and discharging starts, the FH8208A turns the charging control FET on and returns to the normal condition. The

release mechanism is as follows: the discharging current flows through an internal parasitic diode of the charging FET immediately after a load is connected and discharging starts, and the VM pin voltage increases about 0.7V (forward voltage of the diode) from the GND pin voltage momentarily. The FH8208A detects this voltage and releases the overcharge condition. Consequently, in the case that the battery voltage is equal to or lower than the overcharge detection voltage (VCU), the FH8208A returns to the normal condition immediately, but in the case the battery voltage is higher than the overcharge detection voltage (VCU), the chip does not return to the normal condition until the battery voltage drops below the overcharge detection voltage (VCU) even if the load is connected. In addition, if the VM pin voltage is equal to or lower than the overcurrent 1 detection voltage when a load is connected and discharging starts, the chip does not return to the normal condition. Remark If the battery is charged to a voltage higher than the overcharge detection voltage (VCU) and the battery voltage does not

drop below the overcharge detection voltage (VCU) even when a heavy load, which causes an overcurrent, is connected, the overcurrent 1 and overcurrent 2 do not work until the battery voltage drops below the overcharge detection voltage (VCU). Since an actual battery has, however, an internal impedance of several dozens of mΩ, and the battery voltage drops immediately after a heavy load which causes an overcurrent is connected, the overcurrent 1 and overcurrent 2 work. Detection of load short circuiting works regardless of the battery voltage.

### Over-discharge Condition

When the battery voltage drops below the overdischarge detection voltage (VDL) during discharging under normal condition and it continues for the overdischarge detection delay time (tDL) or longer, the FH8208A turns the discharging control FET off and stops discharging. This condition is called overdischarge condition. After the discharging control FET is turned off, the VM pin is pulled up by the RVMD resistor between VM and VDD in FH8208A. Meanwhile when VM is bigger than 1.5 V (typ.) (the load short-circuiting detection voltage), the current of the chip is reduced to the power-down current (IPDN). This condition is called power-down condition. The VM and VDD pins are shorted by the RVMD resistor in the IC under the overdischarge and power-down conditions. The power-down condition is released when a charger is connected and the potential difference between VM and VDD becomes 1.3 V (typ.) or higher (load shortcircuiting detection voltage). At this time, the FET is still off. When the battery voltage becomes the overdischarge detection voltage (VDL) or higher (see note), the FH8208A turns the FET on and changes to the normal condition from the overdischarge condition. Remark If the VM pin voltage is no less than the charger detection voltage (VCHA), when the battery under overdischarge condition is connected to a charger, the overdischarge condition is released (the discharging control FET is turned on) as usual, provided that the battery

voltage reaches the overdischarge release voltage (VDU) or higher.

### Over-current Condition

When the discharging current becomes equal to or higher than a specified value (the VM pin voltage is equal to or higher than the overcurrent detection voltage) during discharging under normal condition and the state continues for the overcurrent detection delay time or longer, the FH8208A turns off the discharging control FET to stop discharging. This condition is called overcurrent condition. (The overcurrent includes overcurrent, or load shortcircuiting.) The VM and GND pins are shorted internally by the RVMS resistor under the overcurrent condition. When a load is connected, the VM pin voltage equals the VDD voltage due to the load. The overcurrent condition returns to the normal condition when the load is released and the impedance between the B+ and B- pins becomes higher than the automatic recoverable impedance. When the load is removed, the VM pin goes back to the GND potential since the VM pin is shorted the GND pin with the RVMS resistor. Detecting that the VM pin potential is lower than the overcurrent detection voltage (VIOV), the IC returns to the normal condition.

### Abnormal Charge Current Detection

the VM pin voltage drops below the charger detection voltage (VCHA) during charging under the normal condition and it continues for the overcharge detection delay time (tCU) or longer, the FH8208A turns the charging control FET off and stops charging. This action is called abnormal charge current detection. Abnormal charge current detection works when the discharging control FET is on and the VM pin voltage drops below the charger detection voltage (VCHA). When an abnormal charge current flows into a battery in the overdischarge condition, the FH8208A consequently turns the charging control FET off and stops charging after the battery voltage becomes the overdischarge detection voltage and the

overcharge detection delay time ( $t_{CU}$ ) elapses.

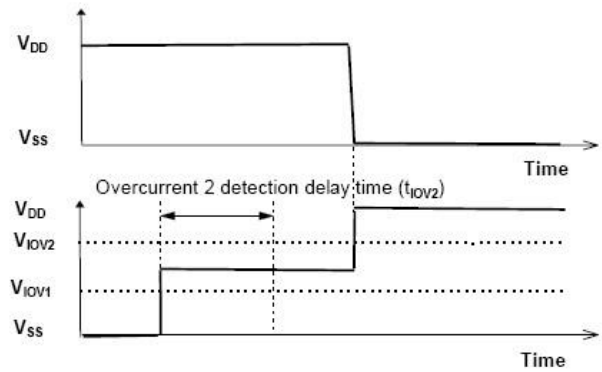
Abnormal charge current detection is released when the voltage difference between VM pin and GND pin becomes lower than the charger detection voltage ( $V_{CHA}$ ) by separating the charger. Since the 0V battery charging function has higher priority than the abnormal charge current detection function, abnormal charge current may not be detected by the product with the 0V battery charging function while the battery voltage is low.

### Load Short-circuiting condition

If voltage of VM pin is equal or below short-circuiting protection voltage ( $V_{SHORT}$ ), the FH8208A will stop discharging and battery is disconnected from load. The maximum delay time to switch current off is  $t_{SHORT}$ . This status is released when voltage of VM pin is higher than short protection voltage ( $V_{SHORT}$ ), such as when disconnecting the load.

### Delay Circuits

The detection delay time for overdischarge current 2 and load short-circuiting starts when overdischarge current 1 is detected. As soon as overdischarge current 2 or load short-circuiting is detected over detection delay time for overdischarge current 2 or load short-circuiting, the FH8208A stops discharging. When battery voltage falls below overdischarge detection voltage due to overdischarge current, the FH8208A stop discharging by overdischarge current detection. In this case the recovery of battery voltage is so slow that if battery voltage after overdischarge voltage detection delay time is still lower than overdischarge detection voltage, the FH8208A shifts to power-down.



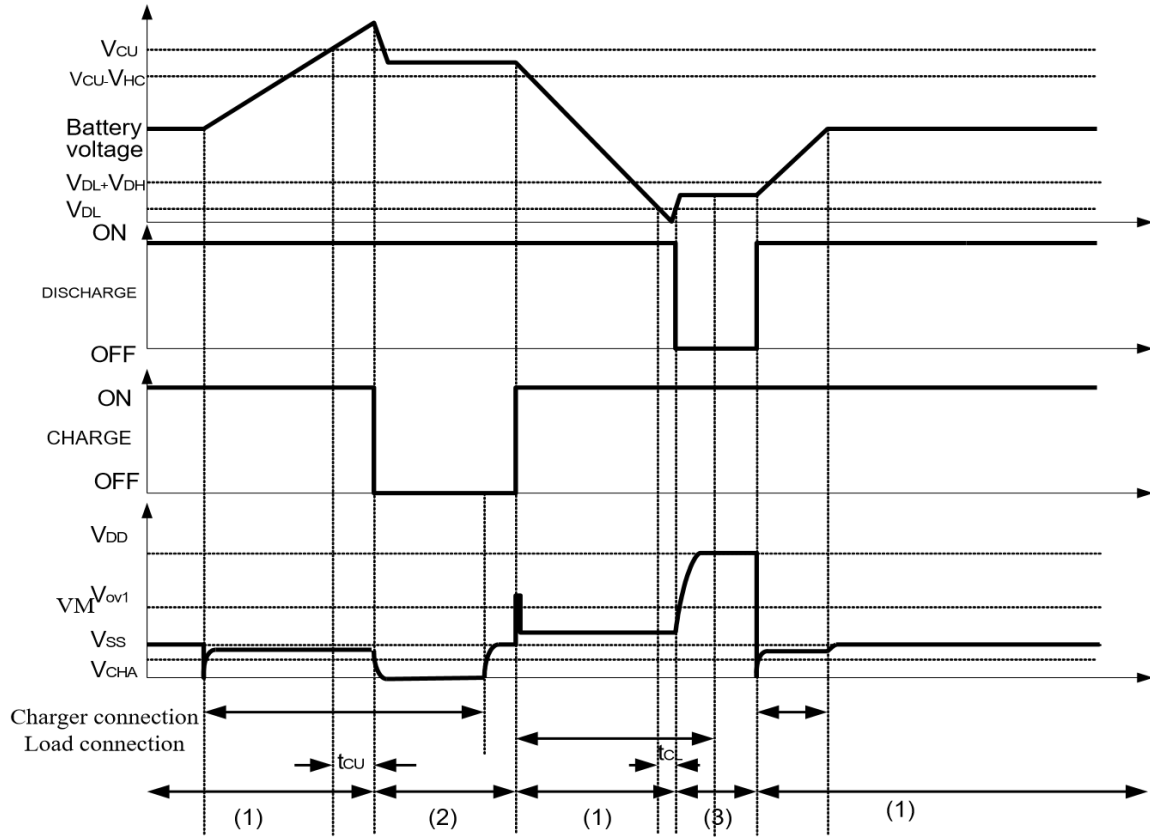
### 0V Battery Charging Function

The recommended inductor values are shown in the Application Diagram. It is important to guarantee the inductor core does not saturate during any foreseeable operational situation. The inductor should be rated to handle the peak load current plus the ripple current: Care should be taken when reviewing the different saturation current ratings that are specified by different manufacturers. Saturation current ratings are typically specified at 25°C, so ratings at maximum ambient temperature of the application should be requested from the manufacturer.

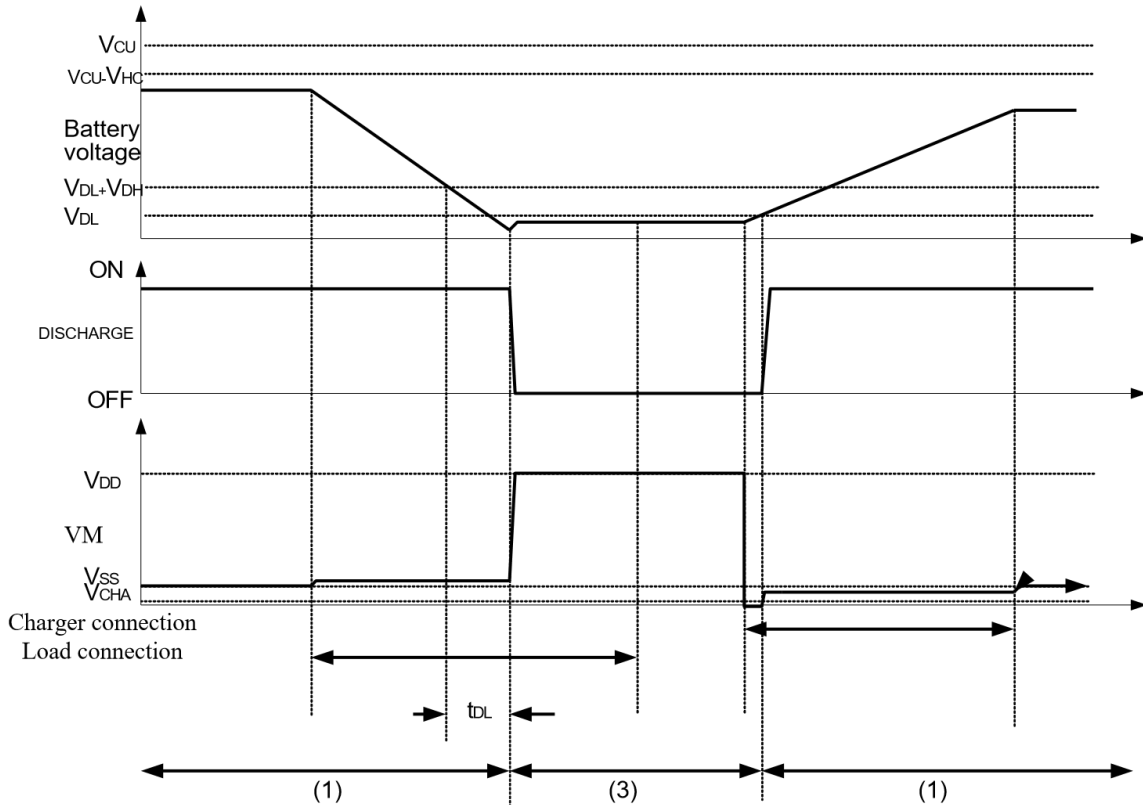
This function enables the charging of a connected battery whose voltage is 0V by self-discharge. When a charger having 0V battery start charging charger voltage ( $V_{OCHA}$ ) or higher is connected between B+ and B- pins, the charging control FET gate is fixed to VDD potential. When the voltage between the gate and the source of the charging control FET becomes equal to or higher than the turn-on voltage by the charger voltage, the charging control FET is turned on to start charging. At this time, the discharging control FET is off and the charging current flows through the internal parasitic diode in the discharging control FET. If the battery voltage becomes equal to or higher than the overdischarge release voltage ( $V_{DU}$ ), the normal condition returns.

## Timing Chart

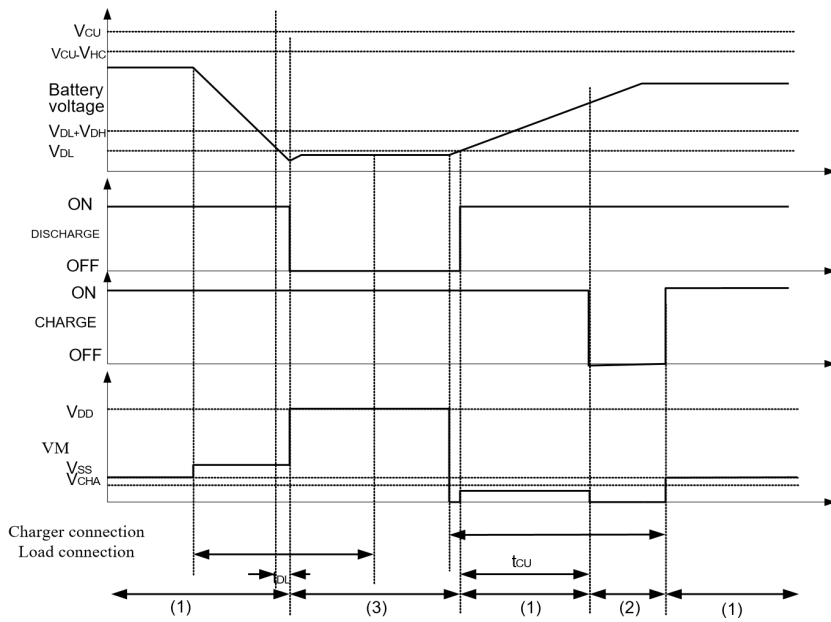
### Overcharge and overdischarge detection



### Charger Detection



## Abnormal Charger Detection



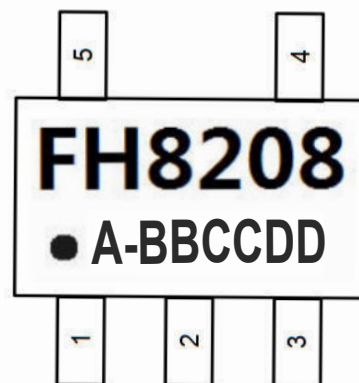
### ■ Typical Application

As shown in Figure 1, the bold line is the high density current path which must be kept as short as possible. For thermal management, ensure that these trace widths are adequate. C1 & R1 is a decoupling capacitor & resistor which should be placed as close as possible to FH8208A.

### Precautions

- Pay attention to the operating conditions for input/output voltage and load current so that the power loss in FH8208A does not exceed the power dissipation of the package.
- Do not apply an electrostatic discharge to this FH8208A that exceeds the performance ratings of the built-in electrostatic protection circuit.

MARKING DESCRIPTION : SOT23-5



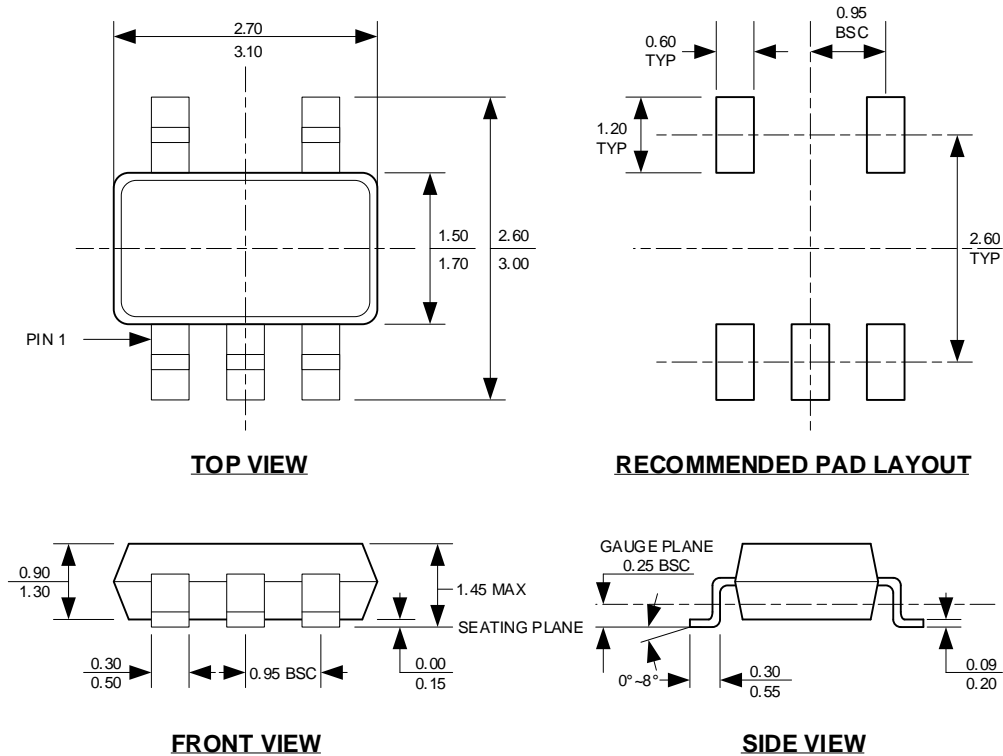
### NOTE :

- A : FH8208A Product model suffix
- BB : Internal Code
- CC : Year Code
- DD : Week Code



## Package Information

### SOT23-5



**NOTE:**

1. CONTROL DIMENSION IS IN INCHES. DIMENSION IN BRACKET IS IN MILLIMETERS.
2. PACKAGE LENGTH DOES NOT INCLUDE MOLD FLASH, PROTRUSIONS OR GATE BURRS.
3. PACKAGE WIDTH DOES NOT INCLUDE INTERLEAD FLASH OR PROTRUSIONS.
4. LEAD COPLANARITY (BOTTOM OF LEADS AFTER FORMING) SHALL BE 0.004" INCHES MAX.
5. DRAWING CONFORMS TO JEDEC MS-012, VARIATION BA.
6. DRAWING IS NOT TO SCALE.

**NOTICE:**

1. The information here contained could be changed without notice owing to product and/or technical improvements. Please make sure before using the product that the information you are referring to is up to date.
2. No responsibilities are assumed by us for any consequence resulting from any wrong or improper operation, etc. of the product