

FH1806G

N-Channel Trench Power MOSFET

Description

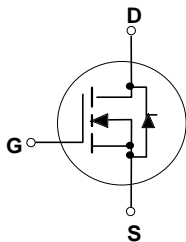
N-Channel Power MOSFET designed by Company, according to the advanced TrenchTechnology. This devices provide an excellent gate charge and $R_{DS(on)}$, which leads to extremely communication and conduction losses. So it is very suitable for AC/DC power conversion, load switch and industrial power applications.

General Features

- $V_{DSS}=60V$, $I_D=80A$
 $R_{DS(ON)}=7.9m\Omega (MAX) @V_{GS}=10V$
- 100% avalanche tested
- Easy to use/drive
- RoHS compliant

Applications

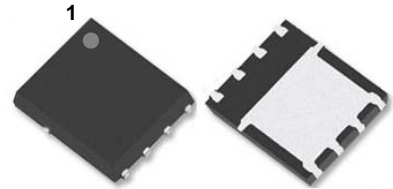
- DC/DC Converter
- Battery Protection Charge/Discharge
- Load Switch
- Synchronous Rectification



Schematic diagram



Marking and pin assignment



PDFN5x6-8L top and bottom view

Absolute Maximum Ratings $T_A = 25^\circ C$, unless otherwise noted

Parameter	Symbol	Values	Unit
Drain-Source Voltage ($V_{GS}=0V$)	V_{DS}	60	V
Continuous Drain Current ²⁾	I_D	$T_C = 25^\circ C$	80
		$T_C = 100^\circ C$	51
Pulsed Drain Current ³⁾	$I_{D,pulse}$	240	A
Gate-Source Voltage	V_{GSS}	± 20	V
Single Pulse Avalanche Energy ¹⁾	E_{AS}	244	mJ
Power Dissipation	P_D	38	W
Operating Junction and Storage Temperature Range	T_J, T_{stg}	-55~+150	$^\circ C$
Thermal Resistance, Junction-to-Case	R_{thJC}	1.5 (MAX)	$^\circ C/W$
Thermal Resistance, Junction-to-Ambient	R_{thJA}	62 (MAX)	$^\circ C/W$

Notes

- 1) $L=0.5mH$, $V_{DD}=30V$, Start $T_J=25^\circ C$.
- 2) Limited by maximum junction temperature.
- 3) Repetitive Rating: Pulse width limited by maximum junction temperature.

Electrical Characteristics $T_J = 25^\circ\text{C}$, unless otherwise noted						
Parameter	Symbol	Test Conditions	Value			Unit
			Min.	Typ.	Max.	
Static Characteristics						
Drain-Source Breakdown Voltage	$V_{(BR)DSS}$	$V_{GS} = 0V, I_D = 250\mu\text{A}$	60	66	--	V
Zero Gate Voltage Drain Current	I_{DSS}	$V_{DS} = 60V$ $V_{GS} = 0V, T_J = 25^\circ\text{C}$	--	--	1	μA
		$V_{DS} = 60V$ $V_{GS} = 0V, T_J = 125^\circ\text{C}$	--	--	100	
Gate-Source Leakage Current	I_{GSS}	$V_{GS} = \pm 20V$	--	--	± 100	nA
Gate-Source Threshold Voltage	$V_{GS(th)}$	$V_{DS} = V_{GS}, I_D = 250\mu\text{A}$	2	2.8	4	V
Drain-Source On-State-Resistance	$R_{DS(on)}$	$V_{GS} = 10V, I_D = 20A$	--	6.5	7.9	$\text{m}\Omega$
Gate Resistance	R_G	$f = 1.0\text{MHz}$ open drain	--	1.6	--	Ω
Dynamic Characteristics						
Input Capacitance	C_{iss}	$V_{GS} = 0V, V_{DS} = 30V$ $f = 1.0\text{MHz}$	--	4009	--	pF
Output Capacitance	C_{oss}		--	243	--	
Reverse Transfer Capacitance	C_{rss}		--	201	--	
Total Gate Charge	Q_g	$V_{DS} = 30V, I_D = 20A$ $V_{GS} = 10V$	--	76	--	nC
Gate-Source Charge	Q_{gs}		--	17	--	
Gate-Drain Charge	Q_{gd}		--	19	--	
Gate Plateau Voltage	$V_{plateau}$		--	4.3	--	V
Turn-on Delay Time	$t_{d(on)}$	$V_{DS} = 30V, V_{GS} = 10V$ $R_G = 3\Omega, I_D = 20A$	--	19	--	ns
Turn-on Rise Time	t_r		--	42	--	
Turn-off Delay Time	$t_{d(off)}$		--	48	--	
Turn-off Fall Time	t_f		--	29	--	
Drain-Source Body Diode Characteristics						
Body Diode Forward Voltage	V_{SD}	$T_J = 25^\circ\text{C}, I_{SD} = 20A$ $V_{GS} = 0V$	--	--	1.2	V
Continuous Diode Forward Current	I_S		--	--	80	A
Reverse Recovery Time	t_{rr}	$I_F = 20A, di_F/dt = 100A/\mu\text{s}$	--	28	--	ns
Reverse Recovery Charge	Q_{rr}		--	52	--	nC

Typical Characteristics $T_J = 25^\circ\text{C}$, unless otherwise noted

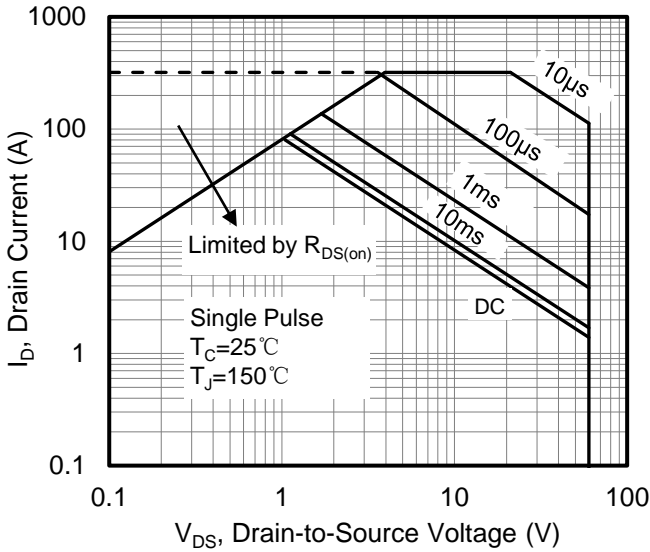


Figure 1. Maximum Safe Operating Area

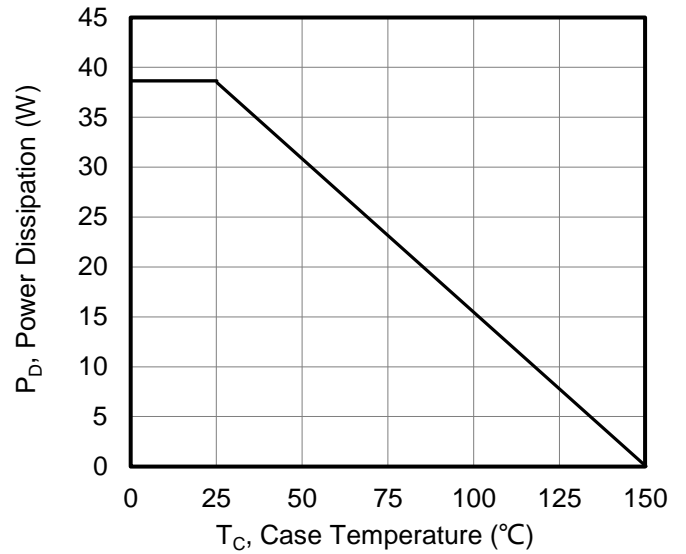


Figure 2. Maximum Power Dissipation vs. Case Temperature

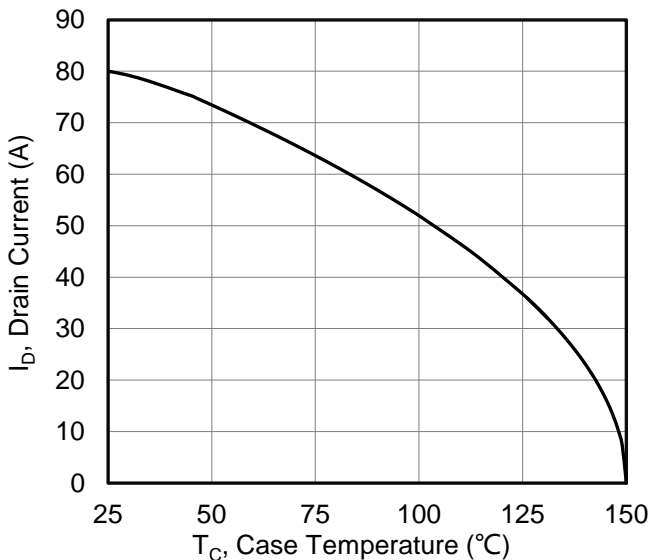


Figure 3. Maximum Continuous Drain Current vs. Case Temperature

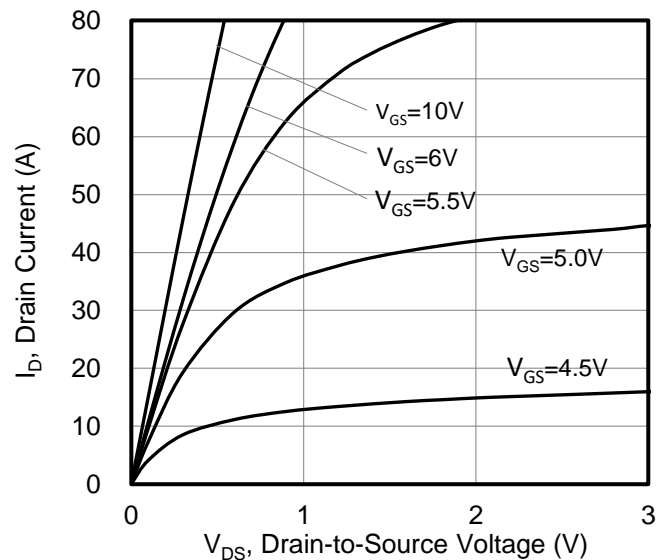


Figure 4. Typical output Characteristics

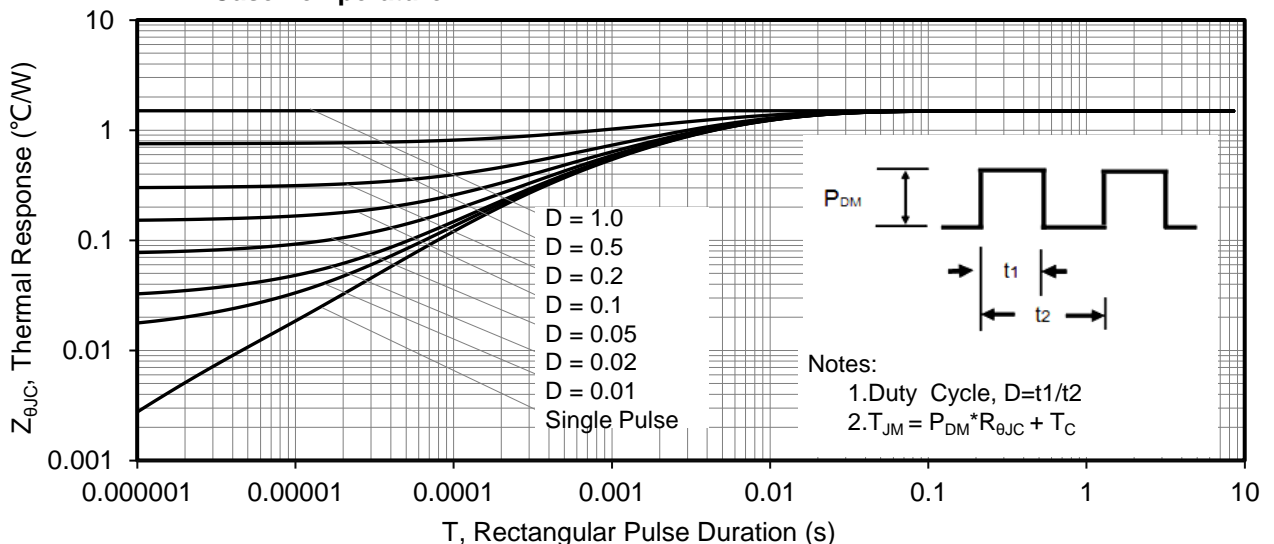


Figure 5. Maximum Effective Thermal Impedance, Junction to Case

Typical Characteristics $T_J = 25^\circ\text{C}$, unless otherwise noted

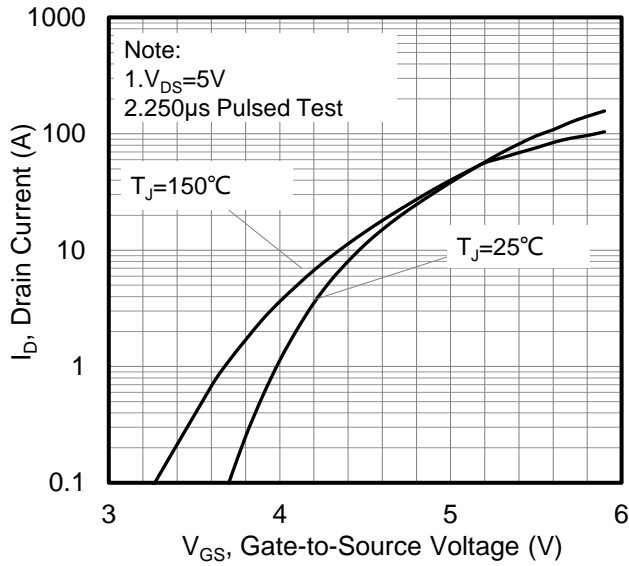


Figure 6. Typical Transfer Characteristics

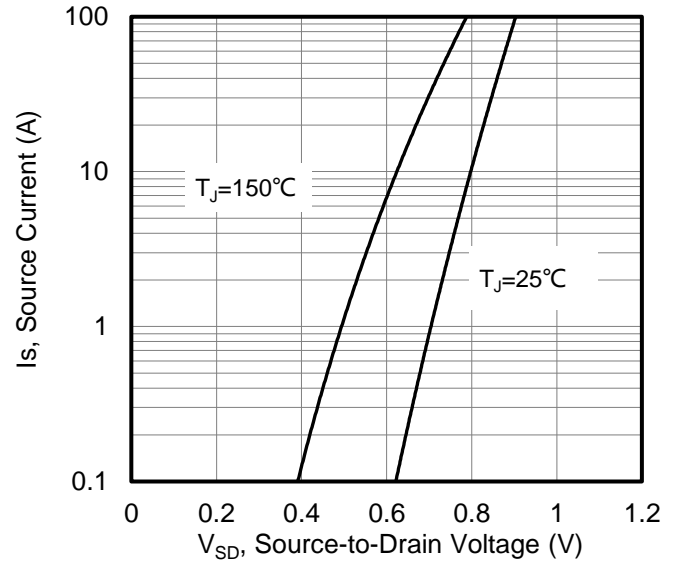


Figure 7. Typical Body Diode Transfer Characteristics

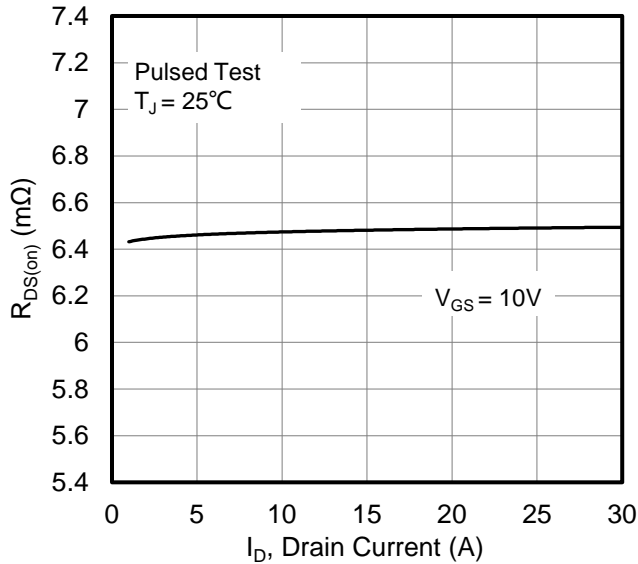


Figure 8. Drain-to-Source On Resistance vs. Drain Current

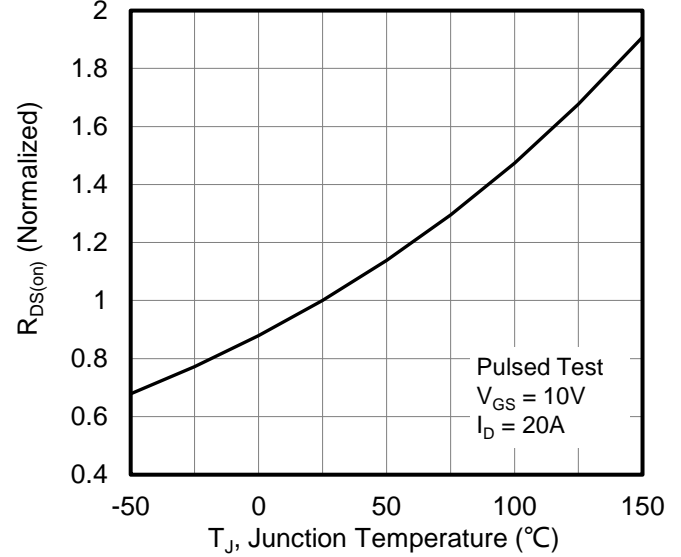


Figure 9. Normalized On Resistance vs. Junction Temperature

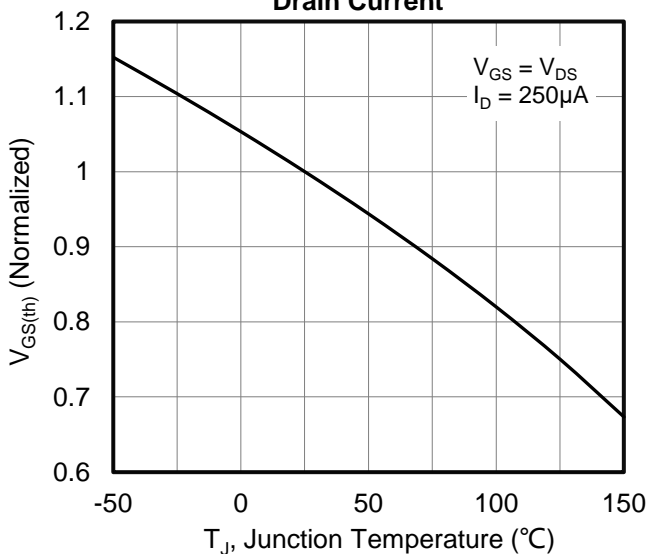


Figure 10. Normalized Threshold Voltage vs. Junction Temperature

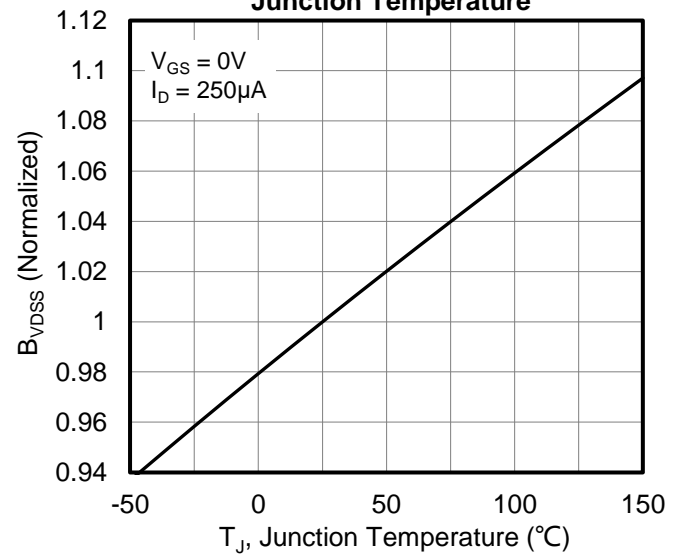


Figure 11. Normalized Breakdown Voltage vs. Junction Temperature

Typical Characteristics $T_J = 25^\circ\text{C}$, unless otherwise noted

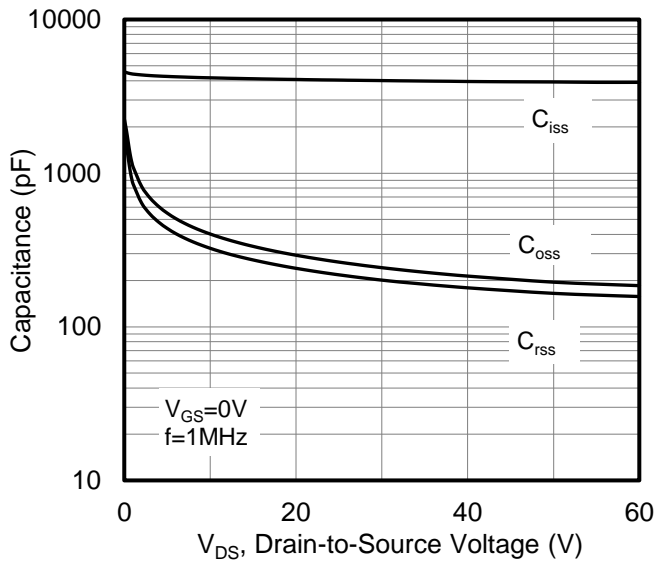


Figure 12. Capacitance Characteristics

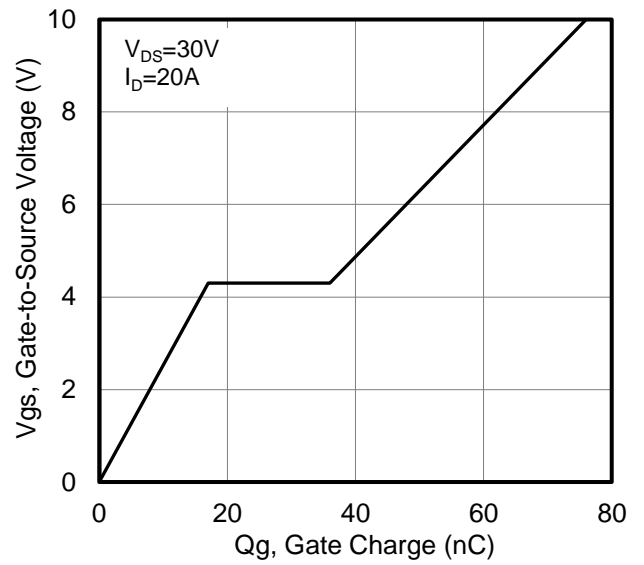


Figure 13. Typical Gate Charge vs Gate to Source Voltage

Figure A: Gate Charge Test Circuit and Waveform

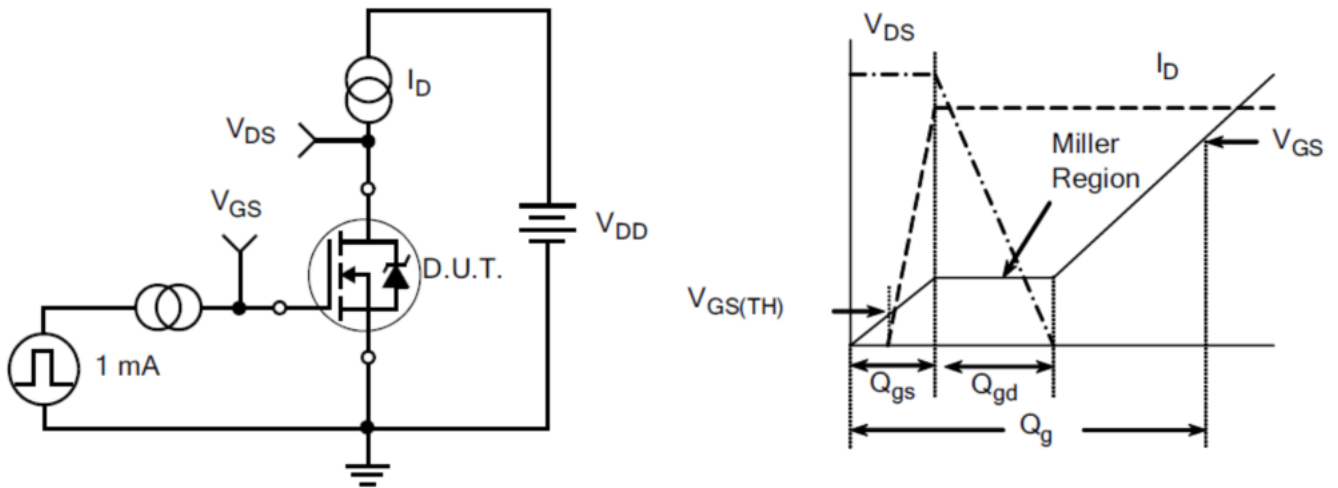


Figure B: Resistive Switching Test Circuit and Waveform

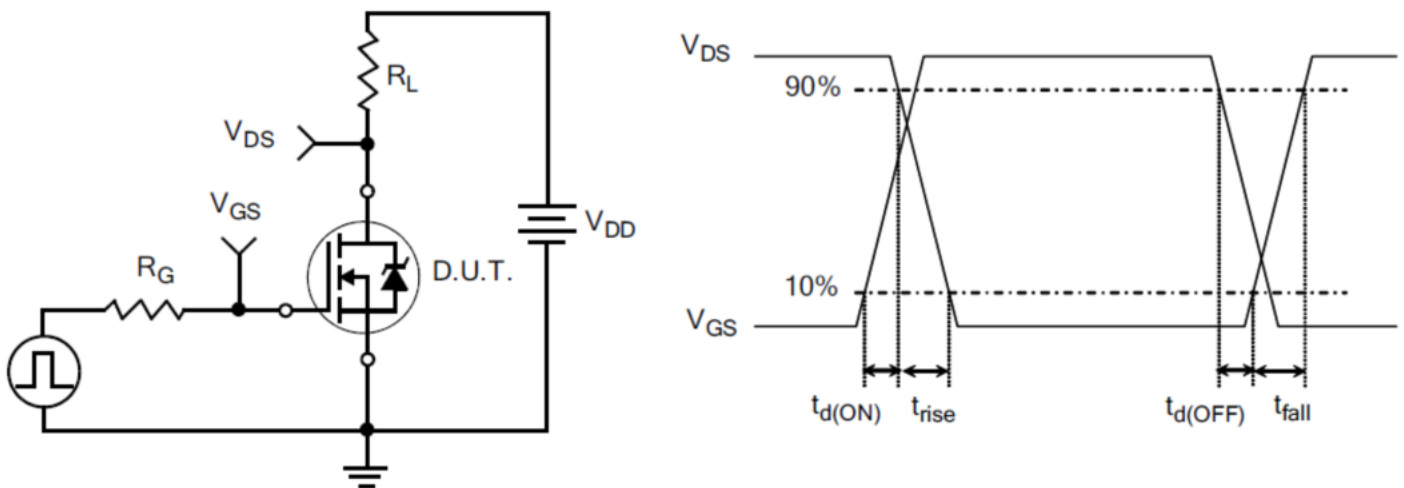
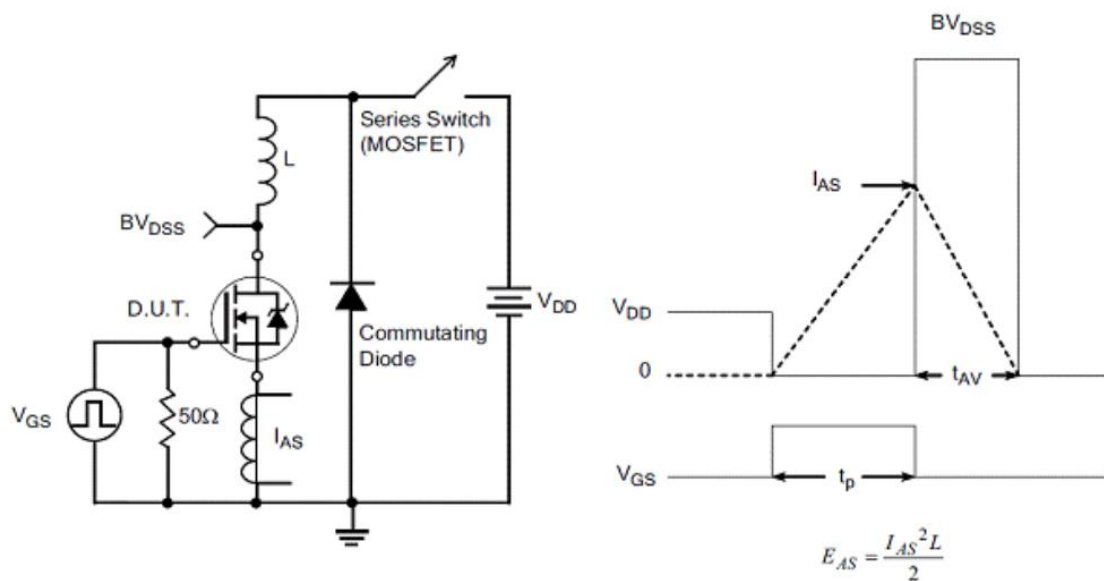
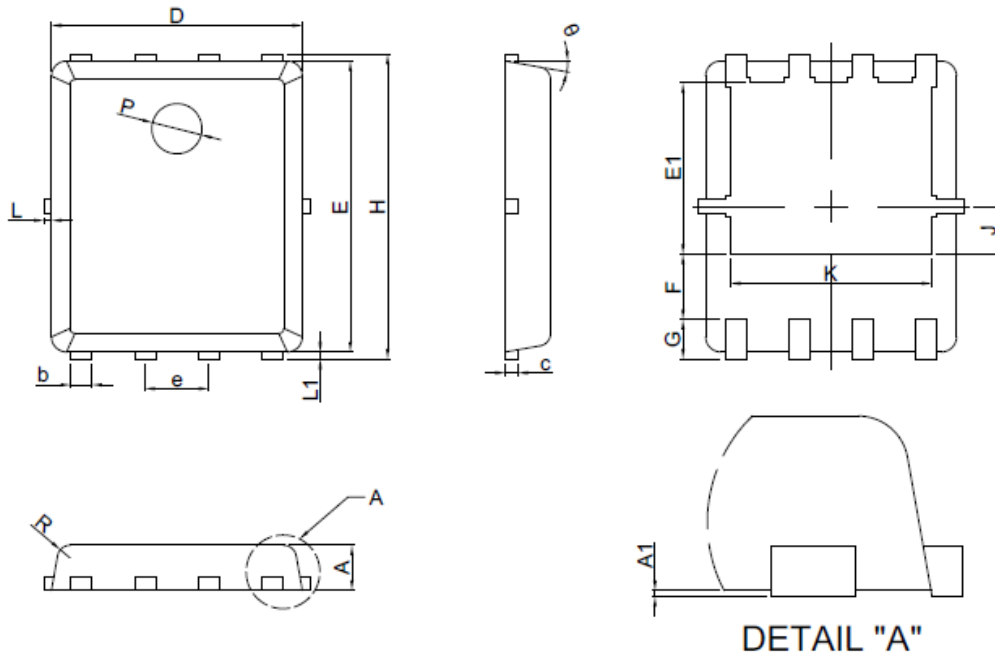


Figure C: Unclamped Inductive Switching Test Circuit and Waveform



Package Information : PDFN5x6-8L



Symbol	Dimensions In Millimeters	
	MIN.	MAX.
A	0.80	1.00
A1	0.00	0.05
b	0.35	0.49
c	0.254REF	
D	4.90	5.10
F	1.40REF	
E	5.70	5.90
e	1.27BSC	
H	5.95	6.20
L1	0.10	0.18
G	0.60REF	
K	4.00REF	
L	-	0.15
J	0.95BSC	
P	1.00REF	
E1	3.40REF	
θ	6°	14°
R	0.25REF	